


# PRODUCT SHEET

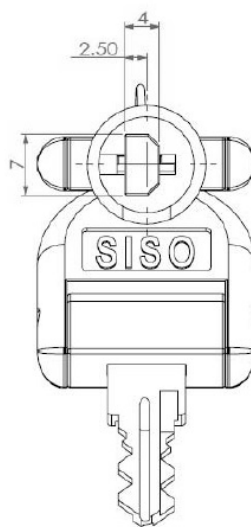
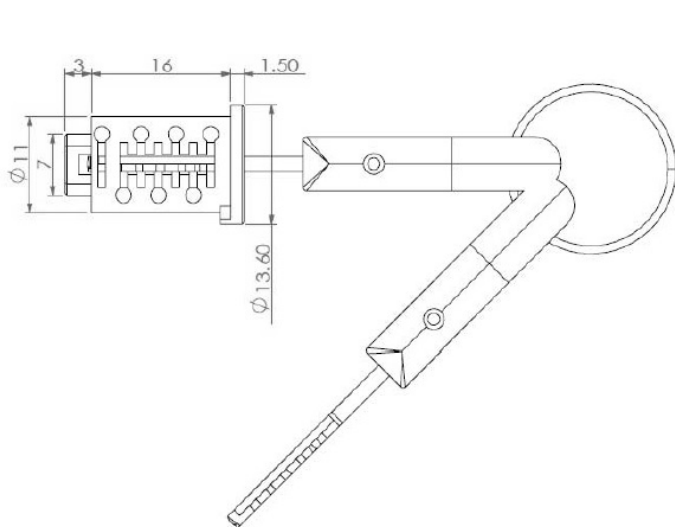
**Description:**

Loose MIC Cylinder #J11, KA#G05, NPL, HCK SISO

**Item number:**

14.03.801-5

| Units | Box | Carton | HS Code    | Barcode  |
|-------|-----|--------|------------|--|
| Pcs.  | 10  | 50     | 8301600090 |  |
|       |     |        |            | 5704866035354  |



**SISO A/S**

Mileparken 11  
DK-2740 Skovlunde  
Denmark  
VAT: DK 24786013

Phone +45 45 830 900

[www.siso.dk](http://www.siso.dk)  
[siso@siso.dk](mailto:siso@siso.dk)

Danske Bank  
Nytorv Branch  
Copenhagen  
SWIFT: DABADKKK

Account no.  
4180 3112 112936  
IBAN Account  
DK7230003112112936